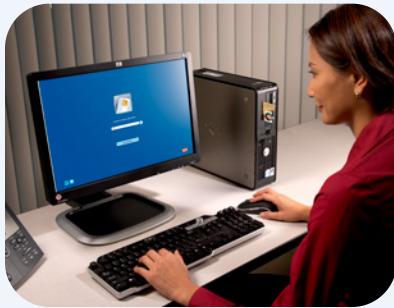
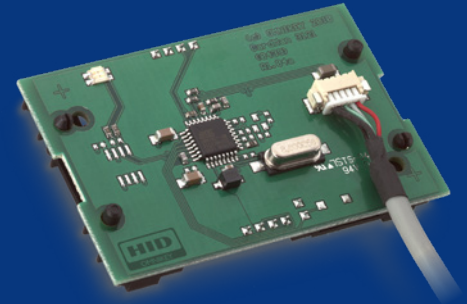


# OMNIKEY® 3121 Reader Board USB

A high performance smart card reader board for OEMs



The OMNIKEY® 3121 is a high-performance, USB contact smart card reader board. Compliant with all industry standards, the reader is compatible with virtually any contact smart card, operating system and a variety of applications. The OMNIKEY 3121 is easy-to-install and well-suited for all contact smart card operations, including single sign-on, online-banking or digital signature applications..

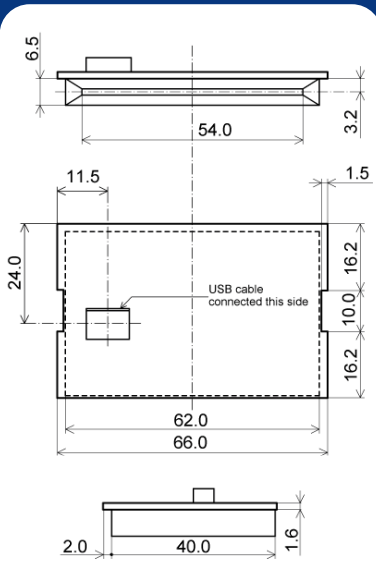
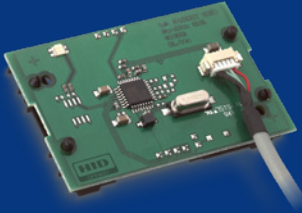
#### ADDITIONAL PRODUCT FEATURES:

- Driver platform identical to housed product
- High speed data transmission
- All major operating systems supported
- Mounting bracket available
- PCB includes mounting holes
- Meets major standards including ISO 7816, EMVCo, Microsoft WHQL
- Meets GSA FIPS 201 requirements

#### KEY BENEFITS:

- **Plug and Play** - Designed to facilitate easy device installation for all major PC operating systems
- **Readily Compliant** - Meets all relevant industry standards for smooth integration in PC environment
- **Suits Any Application** - Compatible with virtually any smart card and major PC operating systems
- **USB CCID support** - Makes integration into an existing system simple by connecting host and smart card reader without the need of additional drivers

# OMNIKEY® 3121 Reader Board USB



all dimensions in mm

Maximum component height is  
4mm (crystal)

USB Connector Size:  
11.0 x 5.0 mm

<b>Base Model Number</b>	R31210375-1
<b>Dimensions</b>	2.6" x 1.67" x 0.47" (66 x 42,4 x 12mm)
<b>Weight</b>	Approx. 75 gr / 2.65 oz
<b>Power Supply</b>	Bus powered
<b>Operating Temperature</b>	0°-55°C (32-131°F)
<b>Operating Humidity</b>	10-90% rH
<b>HOST INTERFACE</b>	
<b>Host Interface</b>	USB 2.0 CCID <sup>1</sup> USB Suspend mode compliant (<2.5mA)
<b>Transmission Speed</b>	12 Mbps (USB 2.0 full speed)
<b>CONTACT SMART CARD INTERFACE</b>	
<b>Standards</b>	ISO 7816 & EMV <sup>2</sup> 2000 Level 1
<b>Protocols</b>	T=0, T=1, 2-wire: SLE 4432/42 (S=10), 3-wire: SLE 4418/28 (S=9), I <sup>2</sup> C (S=8)
<b>Card Size</b>	ID-1 (full-size)
<b>Smart Card Interface Speed</b>	420 kbps (when supported by card)
<b>Supported Card Types</b>	5V, 3V and 1.8V Smart Cards, ISO 7816 Class A, B and C
<b>Power to Smart Card</b>	60 mA
<b>Smart Card Detection</b>	Movement detection with auto power-off /Automatic detection of smart card type/ Short circuit and thermal protection
<b>8 Pin Handling</b>	C4 / C8 supported
<b>Supported APIs</b>	Works with the default CCID driver shipped with your system No CT-API available at this point No need for Synch-API, Synchronous cards supported via pseudo-APDU's
<b>Operating System Support</b>	Windows Vista/7/8/8.1/10, Windows CE 6.0, Android, Mac OS X, Linux
<b>Status Indicator</b>	Dual color LED
<b>Embedded Technology</b>	Smart@Link Chipset
<b>Options</b>	Mounting Bracket: Available upon request
<b>Connector Cable</b>	70.9" (180 cm)
<b>Durability</b>	100,000 insertions
<b>Meantime Between Failure (MTBF)</b>	500,000 hours
<b>Compliance / Certification</b>	Microsoft® WHQL <sup>3</sup> , EMVCo Level 1, ISO 7816, USB 2.0, CCID <sup>1</sup>
<b>Safety / Environmental</b>	WEEE, RoHS
<b>Warranty</b>	Two year manufacturer's warranty. (For drivers, see complete lifetime support policy.)

1 = Chip Card Interface Device, 2 = Europay® MasterCard® Visa®, 3 = Windows® Hardware Quality Lab



## HID

hidglobal.com

North America: +1 512 776 9000 | Toll Free: 1 800 237 7769  
Europe, Middle East, Africa: +44 1440 714 850  
Asia Pacific: +852 3160 9800 | Latin America: +52 (55) 9171-1108  
**For more global phone numbers click here**

© 2021 HID Global Corporation/ASSA ABLOY AB. All rights reserved.  
2021-03-25-eat-omnikey-3121-usb-reader-board-ds-en PLT-00322  
Part of ASSA ABLOY